

Kit Ferrara

Italian Kitset Cavity Slider System

Patented



Note:
Only to be used if
you think you
deserve THE BEST!

- ✓ Versatile
- ✓ Quiet - hush (the baby keeps sleeping)
- ✓ Anti-vibration (no rolling clunks & bumps)
- ✓ Keep the door closed (and house warm!)
- ✓ No more scratched door panels

Options for panel weights 50 / 80kg (other options to 275kg)

Self-closing and soft-closing options

Width Standard - panels from 615-1015mm wide (non-standard to 1800)

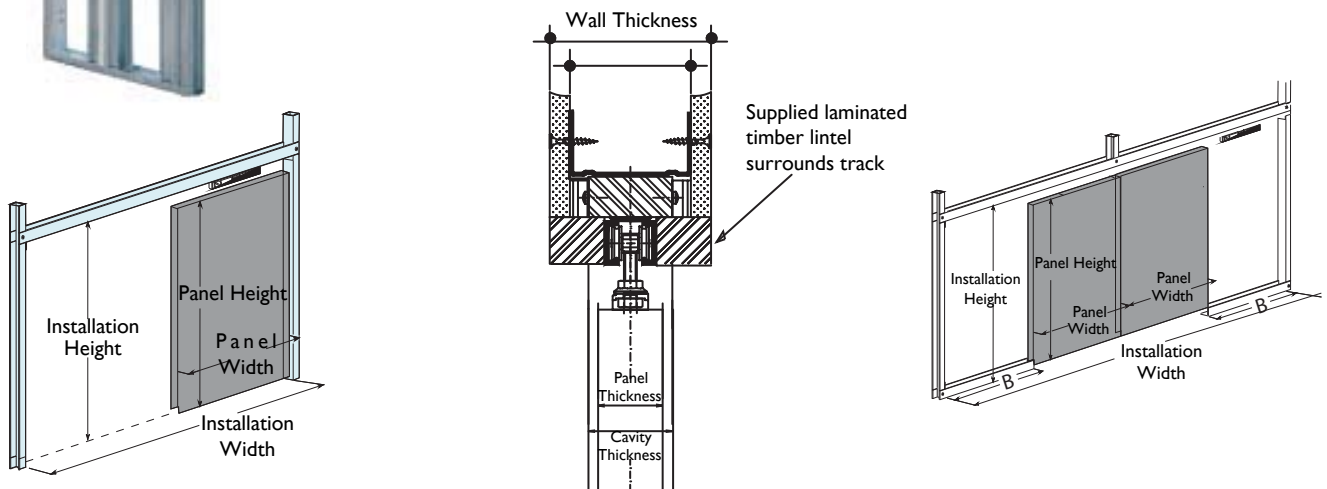
Panel thicknesses 40-55mm (non-standard to 65mm)

Height options up to 2700mm

Double = 2 x single units

Why should you install an Allaporta Kit Ferrara kitset cavity slider?

- ❖ This precision engineered patented kitset system for plasterboard, incorporates ultra-strong folded steel panels - the frame virtually eliminates the opportunity for bending, warping and twisting, like timber systems.
- ❖ The hand finished rollers incorporate ground shielded ball bearings, covered in Delrin™ to ensure life-long smooth, quiet rolling action.
- ❖ Easily installed kitset system, thus reducing installation time - a good builder will be able to install this system.
- ❖ The strong, folded steel construction, with laminated timber lintel, ground shielded ball bearings, and rollers covered with Delrin, ensuring a life-long, smooth rolling action.
- ❖ Small profile box reduces transportation costs.
- ❖ Easy for shippers to move and store, therefore reducing the risk of damage to the unit in transit.



SINGLE DOOR PROFILE MEASUREMENTS

Installation Width = (2x Panel width) + 30mm
 Measurement B = Panel width - 12mm
 Installation Height = Panel height + 91mm

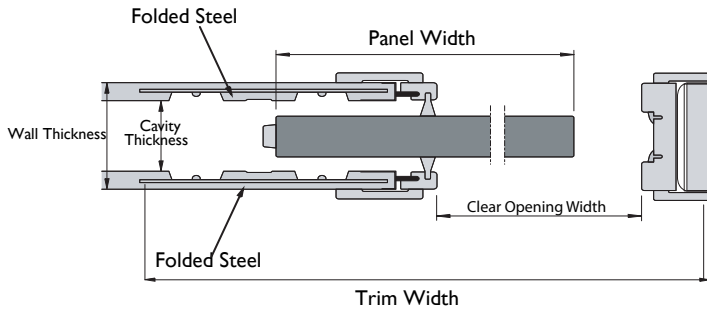
DOUBLE DOOR PROFILE MEASUREMENTS

Installation Width = (4x Panel width) + 5mm
 Measurement B = Panel width - 9.5mm
 Installation Height = Panel height + 91mm

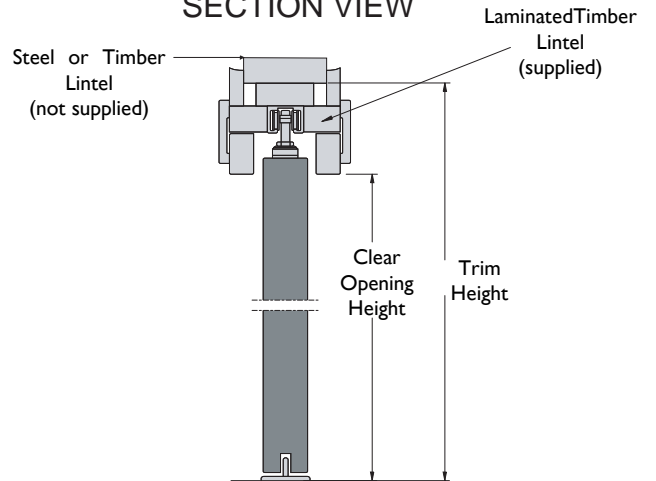
Trim width = (Door Panel x2)+30mm
 Trim Height = Panel Height +91mm



PLAN VIEW



SECTION VIEW



OPTIONS

CODE	CLEAR OPENING		CARCASS SIZE		DOOR PANEL	
	Width	Height	Width	Height	Panel Width	Panel Height
5000	600	X 2000	1259	X 2101	615	X 2010
	700	X 2000	1459	X 2101	715	X 2010
	800	X 2000	1659	X 2101	815	X 2010
	900	X 2000	1859	X 2101	915	X 2010
	1000	X 2000	2059	X 2101	1015	X 2010
5001	600	X 2100	1259	X 2201	615	X 2110
	700	X 2100	1459	X 2201	715	X 2110
	800	X 2100	1659	X 2201	815	X 2110
	900	X 2100	1859	X 2201	915	X 2110
5110	1100	X 2000	2259	X 2101	1115	X 2010
5111	1100	X 2100	2259	X 2201	1115	X 2110
5120	1200	X 2000	2459	X 2101	1215	X 2010
5121	1200	X 2100	2459	X 2201	1215	X 2110
5130	1300	X 2000	2659	X 2101	1315	X 2010
5131	1300	X 2100	2659	X 2201	1315	X 2110
5140	1400	X 2000	2859	X 2101	1415	X 2010
5141	1400	X 2100	2859	X 2201	1415	X 2110
5150	1500	X 2000	3059	X 2101	1515	X 2010
5151	1500	X 2100	3059	X 2201	1515	X 2110
5160	1600	X 2000	3259	X 2101	1615	X 2010
5161	1600	X 2100	3159	X 2201	1615	X 2110
5170	1700	X 2000	3459	X 2101	1715	X 2010
5171	1700	X 2100	3459	X 2201	1715	X 2110
5180	1800	X 2000	3659	X 2101	1815	X 2010
5181	1800	X 2100	3659	X 2201	1815	X 2110
5002	600	X 2110 - 2700	1259	X 2210 - 2801	615	X 2120 - 2710
5002	700	X 2110 - 2700	1459	X 2210 - 2801	715	X 2120 - 2710
5002	800	X 2110 - 2700	1659	X 2210 - 2801	815	X 2120 - 2710
5002	900	X 2110 - 2700	1859	X 2210 - 2801	915	X 2120 - 2710
5002	1000	X 2110 - 2700	2059	X 2210 - 2801	1015	X 2120 - 2710
5112	1100	X 2110 - 2700	2259	X 2210 - 2801	1115	X 2120 - 2710
5122	1200	X 2110 - 2700	2459	X 2210 - 2801	1215	X 2120 - 2710
5132	1300	X 2110 - 2700	2659	X 2210 - 2801	1315	X 2120 - 2710
5142	1400	X 2110 - 2700	2859	X 2210 - 2801	1415	X 2120 - 2710
5152	1500	X 2110 - 2700	3059	X 2210 - 2801	1515	X 2120 - 2710
5162	1600	X 2110 - 2700	3259	X 2210 - 2801	1615	X 2120 - 2710
5172	1700	X 2110 - 2700	3459	X 2210 - 2801	1715	X 2120 - 2710
5182	1800	X 2110 - 2700	3659	X 2210 - 2801	1815	X 2120 - 2710

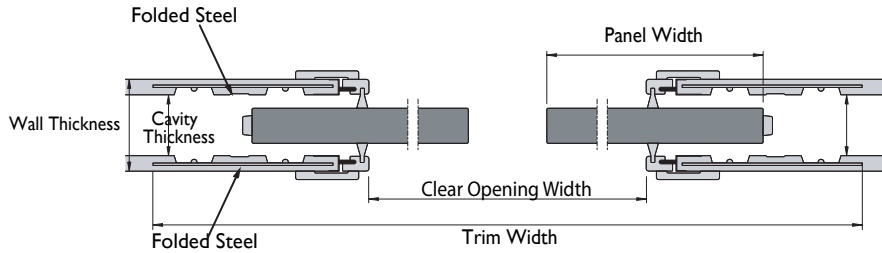
Finished wall Thickness	Internal Cavity	Maximum Panel Thickness	Maximum panel weight
115/120 mm	67 mm	55 mm	80 kg



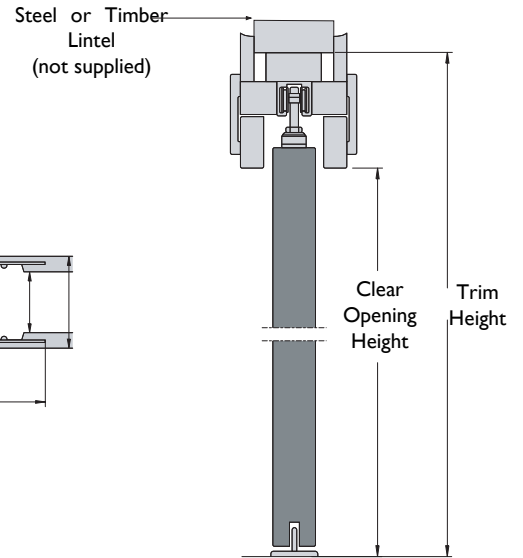
Trim Width= (Panel Width x 4) + 5mm

Trim Height = Panel Height + 91mm

PLAN VIEW



SECTION VIEW



* The double door KIT FERRARA comprises two single door KIT FERRARA kits, measuring 2400 x 2000 for the Single Code 5000 product

CODE	CLEAR OPENING			TRIM SIZES			DOOR PANEL		
	Width	X	Height	Width	X	Height	Panel Width	X	Panel Height
*	1200	X	2000	2465	X	2120	615	X	2010
*	1200	X	2100	2465	X	2200	615	X	2110
*	1400	X	2000	2865	X	2120	715	X	2010
*	1400	X	2100	2865	X	2200	715	X	2110
*	1600	X	2000	3265	X	2120	815	X	2010
*	1600	X	2100	3265	X	2200	815	X	2110
*	1800	X	2000	3665	X	2120	915	X	2010
*	1800	X	2100	3665	X	2200	915	X	2110
*	2000	X	2000	4065	X	2120	1015	X	2010
*	2000	X	2100	4065	X	2200	1015	X	2110
*	2200	X	2000	4465	X	2120	1115	X	2010
*	2200	X	2100	4465	X	2200	1115	X	2110
*	2400	X	2000	4865	X	2120	1215	X	2010
*	2400	X	2100	4865	X	2200	1215	X	2110
*	2600	X	2000	5265	X	2120	1315	X	2010
*	2600	X	2100	5265	X	2200	1315	X	2110
*	2800	X	2000	5665	X	2120	1415	X	2010
*	2800	X	2100	5665	X	2200	1415	X	2110
*	3000	X	2000	6065	X	2120	1515	X	2010
*	3000	X	2100	6065	X	2200	1515	X	2110
*	3200	X	2000	6465	X	2120	1615	X	2010
*	3200	X	2100	6465	X	2200	1615	X	2110
*	3400	X	2000	6865	X	2120	1715	X	2010
*	3400	X	2100	6865	X	2200	1715	X	2110
*	3600	X	2000	7265	X	2120	1815	X	2010
*	3600	X	2100	7265	X	2200	1815	X	2110
*	1200	X	2110 - 2700	2465	X	2211 - 2801	615	X	2120 - 2710
*	1400	X	2110 - 2700	2865	X	2211 - 2801	715	X	2120 - 2710
*	1600	X	2110 - 2700	3265	X	2211 - 2801	815	X	2120 - 2710
*	1800	X	2110 - 2700	3665	X	2211 - 2801	915	X	2120 - 2710
*	2000	X	2110 - 2700	4065	X	2211 - 2801	1015	X	2120 - 2710
*	2200	X	2110 - 2700	4465	X	2211 - 2801	1115	X	2120 - 2710
*	2400	X	2110 - 2700	4865	X	2211 - 2801	1215	X	2120 - 2710
*	2600	X	2110 - 2700	5265	X	2211 - 2801	1315	X	2120 - 2710
*	2800	X	2110 - 2700	5665	X	2211 - 2801	1415	X	2120 - 2710
*	3000	X	2110 - 2700	6065	X	2211 - 2801	1515	X	2120 - 2710
*	3200	X	2110 - 2700	6465	X	2211 - 2801	1615	X	2120 - 2710
*	3400	X	2110 - 2700	6865	X	2211 - 2801	1715	X	2120 - 2710
*	3600	X	2110 - 2700	7265	X	2211 - 2801	1815	X	2120 - 2710

Finished wall Thickness	Internal Cavity	Maximum Panel Thickness	Maximum panel weight
115/120 mm	67 mm	55 mm	80 kg

Kit Ferrara Cavity Slider Jamb Details for Plasterboard - 115mm over 90mm framing

Joinery Details

Adjustments may be made if thinner door panel is used.

Allaporta Ltd recommends the use of doors with steel inserts where possible to assist with ensuring the panel will not bow or twist.

We can assist with door panel supply if required.

